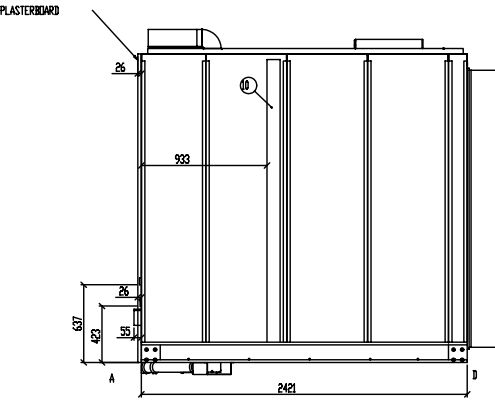
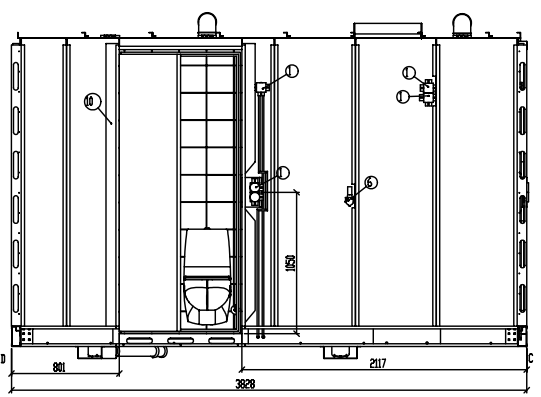
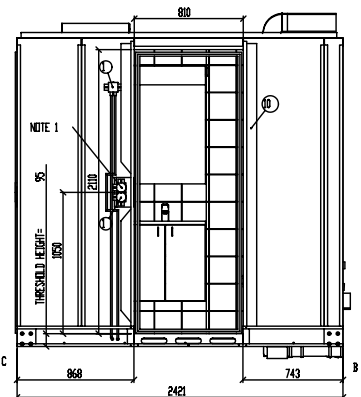


DETAIL A
SCALE 1:10



ITEM NO.	Part No	Description Eng	QTY.
7	02834	Sanipex 18mm distributor w/ 3 retracts	1
8	02881	Sanipex 20mm distributor w. 1 outlet	1
9	02863	SANIPEX 20 GAL CABINET YELLOW	2
10	03064	WALL 48x96 TITANIUM	2
11	03239	VENTILATION PIPE 100mm	2
12	00741	MOUNTING RING FOR EXHAUSTREGISTER- KUEZ	2
13	03455	TOILET MOUNTING TUBE WHITE 110x250	2
14	03472	SANIPEX 16 GAL CABINET GREEN	4
15	03263	300 W/PLATE BRASS/CS/30 GALV	2
16		TOILET BRACKET	2
17	03101	Sanipex wallbox 90 gr 1/2-16 w extension	2
18	03195	Washbasin 18cm marble white c	1
19	03086	LIGHT FIXTURE THERM 130W	2
20	02810	1/4"FACE LAMINATE 30 CM	1
21	02956	FRANKTUM WHITE ABS 32x16x500	1
22	02455	Sanipex 18mm distributor w/2 outlet	1
23	02933	Washbasin 60 cm marble white	1
24		TOILET BRACKET	2
25		PLATE FOR TOILET OUTSIDE	2
26	02982	VENTILATION PIPE SPIRO 100x100	2
27	03021	PP-HI 50mm BRANCH 90° 35x20x45	1
28	03013	PP-HI 50mm BRANCH 45° WHITE	2
29	03012	PP-HI 32mm BRN 90° WHITE	1
30	04047	SHOWER GARNITURE APPLIKATOR	2
31	04106	TOILET PP 20x25-81 F/WALL	2
32	04014	PP-HI 50mm BRANCH TUBE, WHITE	2
33	04018	PP-HI 32-50mm ECCENT TRANSITION	1
34	02841	SANIPEX 18mm DISTRIBUTOR 1/2" OUTLET	2
40	03334	CEILINGBOX ELKS 40x24x 8 TUBED	3
41	04389	EL SHOCKER PLUS WITH COVER SWITCH FOR HEATING CABLE - TUBED	2
42	02645	PLATE DELIVERED AS LITSE 110x50	2

NOTES:

NOTE 1:
THERE IS ONE CONDUIT FOR WASHMACHINE AND ONE CONDUIT FOR THE REST OF THE WET UNIT. THE CONDUITS ARE SEPARATED WITH SEPARATE RIDGES BY THE DEED.

NOTE 2:
MAKE HOLES ON THE PLASTERBOARDS SO THAT THE WATERPIPE COMES OUT IN THE HEIGHT SPECIFIED IN THE DRAWING. THE PIPES ARE COVERED UP IN THE WALL OUTSIDE THE PLASTERBOARD.

NOTE 3:
SHOWER WALL TO BE COVERED WITH 2 LAYERS OF 12MM PLASTER PLATES. SECOND LAYER TO FINISHED 200mm BELOW THE FIRST LAYER.

NO.	REVISION	DATE	DESCRIPTION	BY	CHECKED	APPROV.
01	53827	04/09/07	Design error correction (plaster board size)			
02		08/09/07	Changed scupper placement			
03		08/09/07	FOR CONDUITS/APPL.			

NO: 25.05.07
Egilt Jus-A

CLIENT: SELVAAGBYGG AS

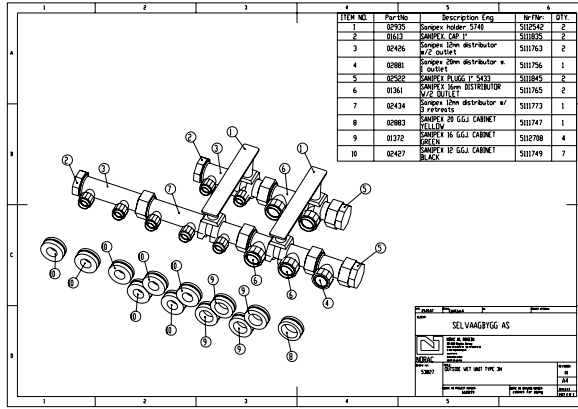
NRAC AS, RINGEBU
NR-0538 Ringebu Norway
E-post: nr@nr.no, Tel: +47 62 00 00
E-post: nr@nr.no
E-post: nr@nr.no
E-post: nr@nr.no

NRAC
Drømtveit vnr
53827

TITLE: OUTSIDE WET UNIT TYPE 3H
2273 Mortensrud

REVISION: 01
A1

NRAC AS PROJECT NUMBER: 612099
NRAC AS DRAWING NUMBER: 0028
SCALE: A4
SHEET 1 OF 2



Part Name	Part No.	Part Desc.
SELVAANGBYGG AS		
Part No.	Part Desc.	Part No.
02925	SAMPLE PLUG 1" 5/16"	5112665
01613	SAMPLE CAP 1"	5112545
02426	SAMPLE down distributor w/2 outlets	5112763
02681	SAMPLE down distributor w/ 2 outlets	5112766
02582	SAMPLE PLUG 1" 5/16"	5112665
01361	SAMPLE down DISTRIBUTOR w/2 outlets	5112765
02434	SAMPLE down distributor w/ 1 entrance	5112773
02883	SAMPLE 26 G.G.I. CABINET YELLOW	5112747
01372	SAMPLE 16 G.G.I. CABINET GREEN	5112788
02427	SAMPLE 12 G.G.I. CABINET BLACK	5112749

3 4 5

3 4 5

3 4 5